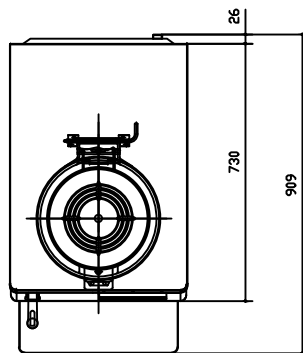
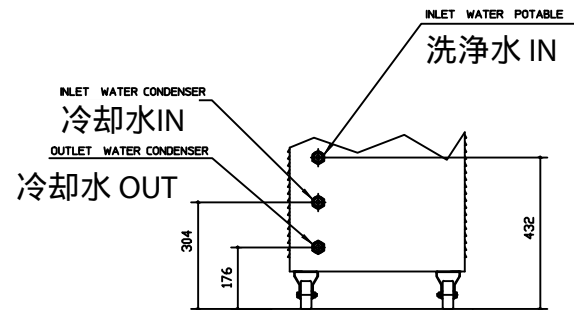


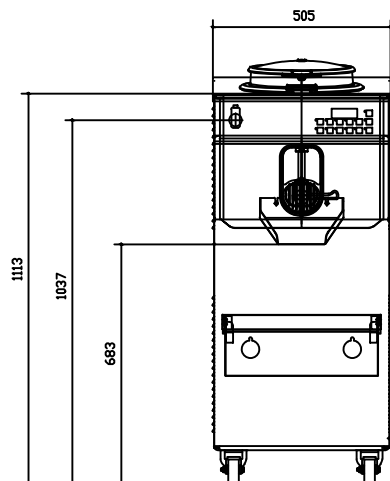
UPPER VIEW 上面図



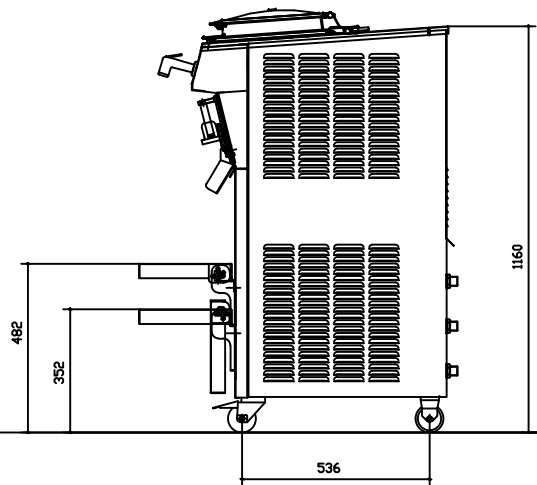
後面図 REAR VIEW



FRONT VIEW 正面図



右面図 RIGHT VIEW



No.	
Updated on	
Machine	MYCHEF
Type	200/50-60/3 W
Code	IC802223040

Electricity	Voltage tension	電圧	AC 200	V
	Frequency	周波数	50/60	Hz
	Phase	相	3	P
	Rated power input	定格電力	5.9	KW
	Max current flow *	定格電流	38	A
	Fuse size	ブレーカー容量	40	A
Size **	Width	幅	505	mm
	Depth	奥行き (ドア開)	730	mm
	height	高さ	1180	mm
	Net weight	NET 重量	190	kg
	Refrigerant	冷媒種類	R 404 a	type
Cooling water	Consumption (20°C)	消費水量 (水温20)	850	L/h
	Size of water in	給水口サイズ	3/4" GAS	inch
	Size of water out	排水口サイズ	3/4" GAS	inch
	Production capacity	製造能力	22.5 - 52.5	kg/h

Approved by	Carpigiani Bologna	1) Mrs. Sardone 2) Mr. Cocchi A.	
	Carpigiani Japan	1) Mr. Chiba 2) Mr. Scrimizzi	

* Max current flow => Data has been taken when machine worked properly under right conditions.

**Tolerance =>± 1mm, Joint of cooling water in/out are not measured, Above power, current flow, water consumption and production capacity depend on various condit type of mix/quantity/temperature/calibration/way of using, consumption of part, etc.